

OVIA



Halogen Lighting

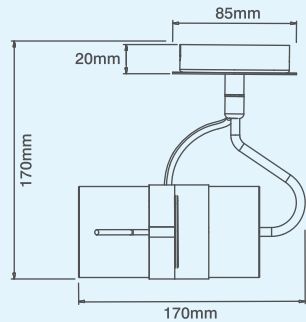


230V 'ORO' Surface Spotlight

code	no. of lamps	lampholder type	max wattage	tilt	rotation
GU120*	1	GU10	50W	100°	350°

Lamp sold separately.

LED option for GU120 fitting is available on page b16.



Available Finishes (+)



Silver



Chrome

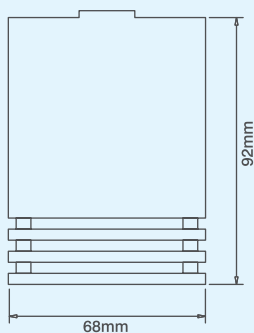


Satin Chrome

Product Approvals
Complies with BS EN 60598.

Please add required finish on to the code e.g. **GU120SC**.

HALOGEN LIGHTING - Surface Mounted GIUSTO Surface Spotlight



Product Approvals
Complies with BS EN 60598.

230V 'GIUSTO' Surface Spotlight

code	no. of lamps	lampholder type	max wattage
GU200SV	1	GU10	50W

Lamp sold separately.

LED option for GU200 fitting is available on page b17

Available Finishes



Silver

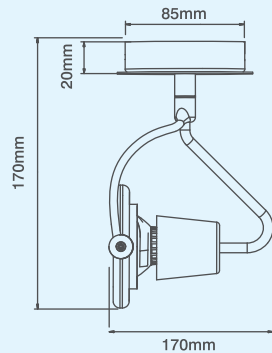


230V 'OCCA' Surface Spotlight

code	no. of lamps	lampholder type	max wattage	tilt	rotation
GU110*	1	GU10	50W	100°	350°

Lamp sold separately.

LED option for GU110 fitting is available on page b18



Available Finishes (+)



Silver



Chrome

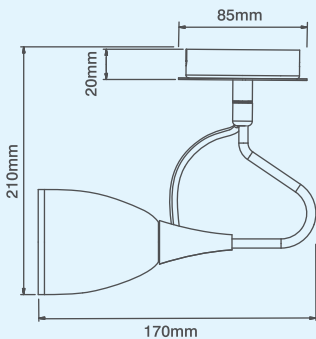


Satin Chrome

Product Approvals
Complies with BS EN 60598.

Please add required finish on to the code e.g. **GU110SV**.

HALOGEN LIGHTING - Surface Mounted
 OCTA Surface Mounted Spotlight



230V 'OCTA' Surface Spotlight

code	no. of lamps	lampholder type	max wattage	tilt	rotation
GU130*	1	GU10	50W	100°	350°

Lamp sold separately.

LED option for GU130 fitting is available on page b19

Available Finishes (*)



Silver



Chrome



Satin Chrome

Product Approvals
 Complies with BS EN 60598.

Please add required finish on to the code e.g. **GU130CH**.



Product Approvals
Complies with BS EN 60598.

HALOGEN LIGHTING - Surface Mounted
Klarheit Wall Light



230V Tungsten Halogen 'Klarheit' Wall Light

code	no. of lamps	lampholder type	max wattage
MV150SV	1	R7S	150W

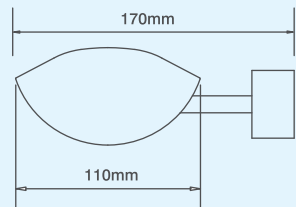
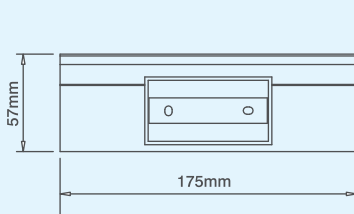
Lamp not included.

For further Klarheit fittings see pages b46-b53.

Available Finishes



Silver





230V 'Largo' Wall Light (Glass Shades Supplied Separately)

code	no. of lamps	lampholder type	max wattage
MV350+	1	G9	40W

Lamp not included.

Each fitting is supplied with a glass lamp protector but NO shade. Please choose a shade from the listing on the next page.

Available Finishes (+)



Silver

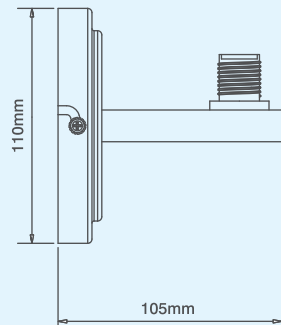


Chrome



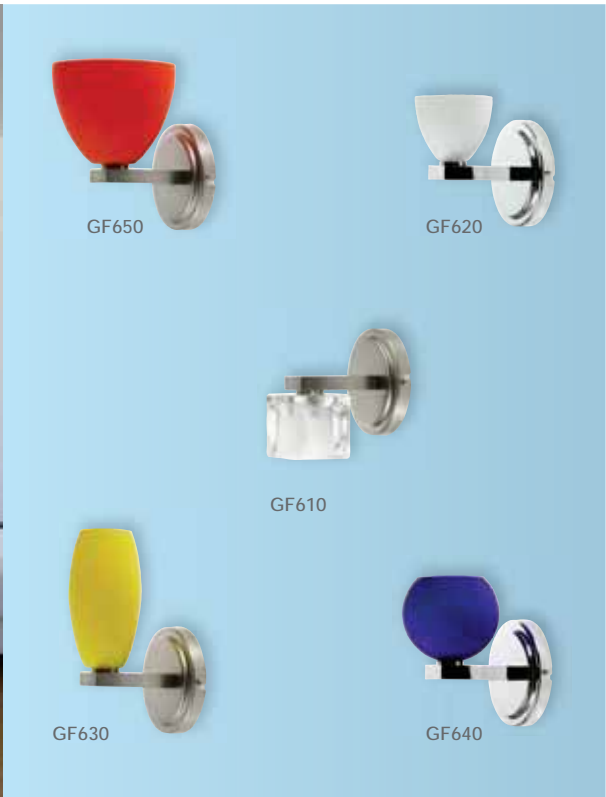
Satin Chrome

Please add required finish on to the code e.g. **MV350SC**.



Product Approvals
Complies with BS EN 60598.

Largo Wall Light



Each of the glass shades illustrated on this page can be used with both the Largo and Lento fittings, offering ultimate flexibility.

The coloured glasses are internally lined with a matt white finish which when illuminated enhances the individual colours.

Product Approvals

Complies with BS EN 60598.

Glass Shades

code	description	width (mm)	depth (mm)	height (mm)
GF610*	Presto Cube	63	63	66
Only available in transparent finishes				
code	description	diameter (mm)	height (mm)	
GF620*	Celesta	80	64	
GF630*	Verismo	74	130	
GF640*	Nocturna	100	83	
GF650*	Cadenza	130	100	

Only available in opal matt finishes

Transparent (*)

Opal Matt (*)

TWH	TBL	CG	WHM	BLM	ORM	YLM	RDM
Clear	Blue	Clear	White	Blue	Orange	Yellow	Red

Please add required shade option on to the code e.g. **GF620RDM**.



230V 'Lento' Pendant Light (Glass Shades Supplied Separately)

code	no. of lamps	lampholder type	max wattage
MV300*	1	G9	40W

Lamp not included.

Each fitting is supplied with a glass lamp protector but NO shade. Please choose a shade from the listing on the next page.

Available Finishes (+)



Silver

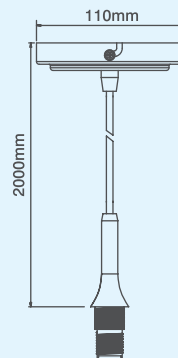


Chrome



Satin Chrome

Please add required finish on to the code e.g. **MV300SC**.



Product Approvals
Complies with BS EN 60598.

HALOGEN LIGHTING - Surface Mounted

Lento Pendant Light



Each of the glass shades illustrated on this page can be used with both the Largo and Lento fittings, offering ultimate flexibility. The coloured glasses are internally lined with a matt white finish which when illuminated enhances the individual colours.

Product Approvals
Complies with BS EN 60598.

Glass Shades

code	description	width (mm)	depth (mm)	height (mm)
GF610*	Presto Cube	63	63	66

Only available in transparent finishes

code	description	diameter (mm)	height (mm)
GF620*	Celesta	80	64
GF630*	Verismo	74	130
GF640*	Nocturna	100	83
GF650*	Cadenza	130	100

Only available in opal matt finishes

Transparent (*)

Opal Matt (*)



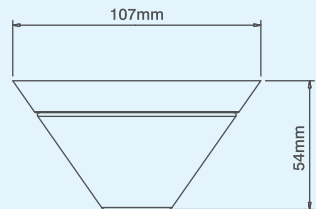
Please add required shade option on to the code e.g. **GF610TWH**.



12V Frosted Glass Dome Light

code	no. of lamps	lampholder type	max wattage
LV165♦	1	G4 Capsule	20W

Transformer and lamp not included, for transformers see page b210.



Available Finishes (*)

Glass Colour (♦)



Chrome



Satin Chrome



Frosted Glass



Blue Glass



Product Approvals.

SELV - Safety Extra Low Voltage
Complies with BS EN 60598.

Please add required finish then glass colour on to the code e.g. **LV165CHB**.

HALOGEN LIGHTING - Flush Mounted Starlights



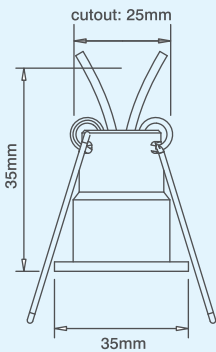
LV200



SP202



SP202 with
LV200 mounted



12V Die Cast 'Starlight'

code	no. of lamps	lampholder type	max wattage
Cast Starlight			
LV200*	1	G4 Capsule	20W

Transformer and lamp not included, for transformers see page b210.

code	diameter (mm)	cutout (mm)
Starlight Mounting/Access Plate		
SP202	65	55

The access plate allows for easy fitting of a transformer through a 55mm ceiling cutout.

Product Approvals.

SELV - Safety Extra Low Voltage
Complies with BS EN 60598.



Available Finishes (*)



White



Chrome



Satin Chrome



Brass



Satin Brass



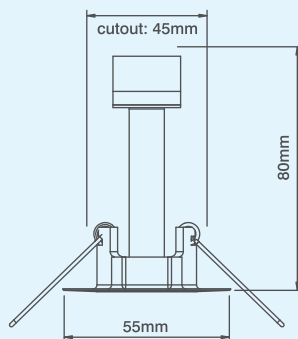
Antique Brass

Please add required finish on to the code e.g. **LV200SB**.


12V 35mm Cast Fixed Downlighter

code	no. of lamps	lampholder type	max wattage
LV580*	1	35mm GU4/MR11	35W

Transformer and lamp not included, for transformers see page b210.



Available Finishes (*)



White



Chrome



Satin Chrome



Brass



Satin Brass

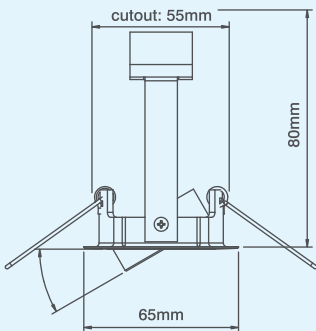


Antique Brass



Product Approvals.
SELV - Safety Extra Low Voltage
Complies with BS EN 60598.

Please add required finish on to the code e.g. **LV580WH**.



12V 35mm Cast Adjustable Downlighter

code	no. of lamps	lampholder type	max wattage	tilt
LV585*	1	35mm GU4/MR11	35W	0-30°

Transformer and lamp not included, for transformers see page b210.

Product Approvals.
SELV - Safety Extra Low Voltage
Complies with BS EN 60598 . .



Available Finishes (*)



White



Chrome



Satin Chrome



Brass



Satin Brass



Antique Brass

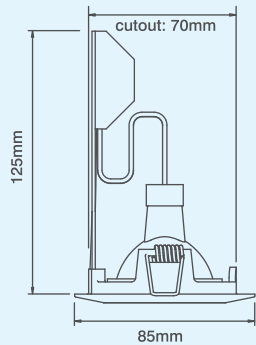
Please add required finish on to the code e.g. **LV585SC**.



12V Cast Fixed Downlighter

code	no. of lamps	lampholder type	max wattage
LV510*	1	GU5.3	50W

Transformer and lamp not included, for transformers see page b210.



Available Finishes (*)

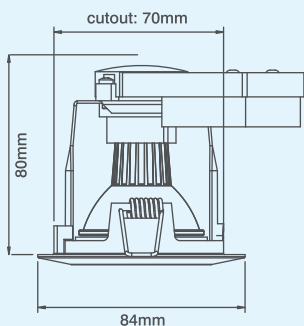


Product Approvals.
SELV - Safety Extra Low Voltage
Complies with BS EN 60598.

Please add required finish on to the code e.g. **LV510GM**.

HALOGEN LIGHTING - Flush Mounted

Professional Fixed Downlighter



230V Cast Fixed Downlighter

code	no. of lamps	lampholder type	max wattage
GZ510*	1	GZ10/GU10	50W

Lamp sold separately.

NOTE: Features a housed terminal block with loop-in and loop-out facility.

Product Approvals
Complies with BS EN 60598.
Design Reg. 2106457

Available Finishes (*)



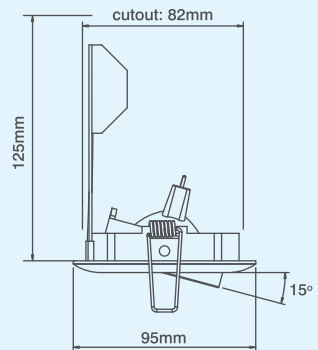
Please add required finish on to the code e.g. **GZ510BR**.



12V Cast Adjustable Downlighter

code	no. of lamps	lampholder type	max wattage	tilt
LV515*	1	GU5.3	50W	15°

Transformer and lamp not included, for transformers see page b210.



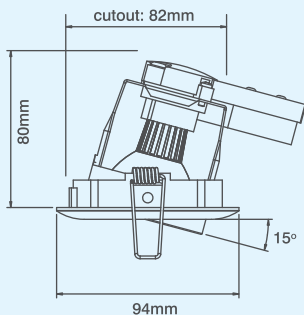
Available Finishes (*):



Please add required finish on to the code e.g. **LV515SB**.



Product Approvals.
SELV - Safety Extra Low Voltage
Complies with BS EN 60598.



230V Cast Adjustable Downlighter

code	no. of lamps	lampholder type	max wattage	tilt
GZ515*	1	GZ10/GU10	50W	15°

Lamp sold separately.

NOTE: Features a housed terminal block with loop-in and loop-out facility.

Product Approvals
Complies with BS EN 60598.
Design Reg. 2106457

Available Finishes (*)



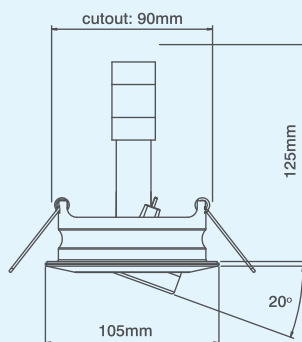
Please add required finish on to the code e.g. **GZ515BR**.



12V Cast Eyeball Downlighter

code	no. of lamps	lampholder type	max wattage	tilt	rotation
LV520*	1	GU5.3	50W	20°	355°

Transformer and lamp not included, for transformers see page b210.



Available Finishes (*)

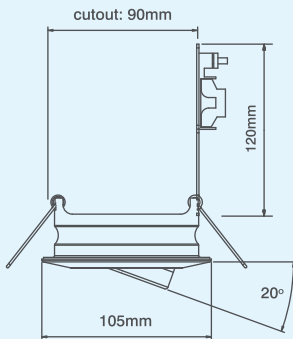


Product Approvals.
SELV - Safety Extra Low Voltage
Complies with BS EN 60598.

Please add required finish on to the code e.g. **LV520BK**.

HALOGEN LIGHTING - Flush Mounted

Professional Eyeball Downlighter



230V Cast Eyeball Downlighter

code	no. of lamps	lampholder type	max wattage	tilt	rotation
GZ520*	1	GZ10/GU10	50W	20°	355°

Lamp sold separately.

LED option for GZ520 fitting is available on page b32.

Product Approvals
Complies with BS EN 60598.

Available Finishes (*)



Please add required finish on to the code e.g. **GZ520CH**.



12V Cast Square Wallwash Downlighter

code	no. of lamps	lampholder type	max wattage	tilt
LV540*	1	GU5.3	50W	30°

Transformer and lamp not included, for transformers see page b210.

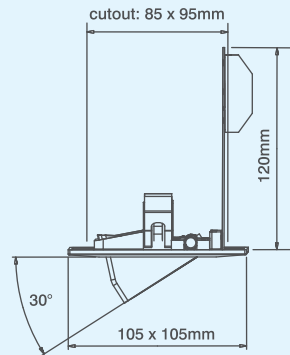


Adjustable to any angle from down light to 30° wallwash

Available Finishes (*)



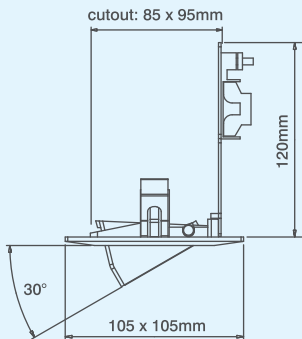
Please add required finish on to the code e.g. **LV540WH**.



Product Approvals.
SELV - Safety Extra Low Voltage
Complies with BS EN 60598.

HALOGEN LIGHTING - Flush Mounted

Professional Square Wallwash



230V Cast Square Wallwash Downlighter

code	no. of lamps	lampholder type	max wattage	tilt
GZ540*	1	GZ10/GU10	50W	30°

Lamp sold separately.

LED option for GZ540 fitting is available on page b33.



Adjustable to any angle from down light to 30° wallwash

Product Approvals.
Complies with BS EN 60598.

Available Finishes (*)



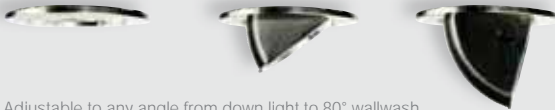
Please add required finish on to the code e.g. **GZ540AB**.



12V Cast Ratchet Wallwash Downlighter

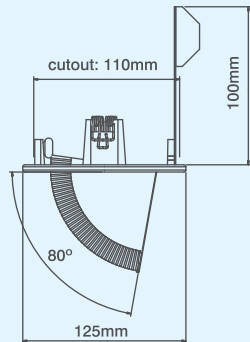
code	no. of lamps	lampholder type	max wattage	tilt	rotation
LV530*	1	GU5.3	50W	80°	N/A

Transformer and lamp not included, for transformers see page b210.



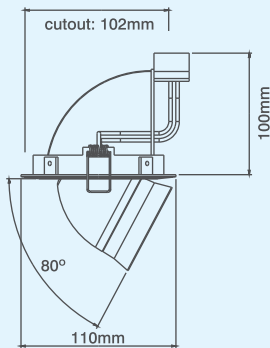
Adjustable to any angle from down light to 80° wallwash

Available Finishes (*)



Product Approvals.
SELV - Safety Extra Low Voltage
Complies with BS EN 60598.

Please add required finish on to the code e.g. **LV530BR**.



12V Cast Bullit Wallwash Downlighter

code	no. of lamps	lampholder type	max wattage	tilt	rotation
LV550*	1	GU5.3	50W	80°	355°

Transformer and lamp not included, for transformers see page b210.



Adjustable to any angle from down light to 80° wallwash

Product Approvals.
SELV - Safety Extra Low Voltage
Complies with BS EN 60598.



Available Finishes (*)



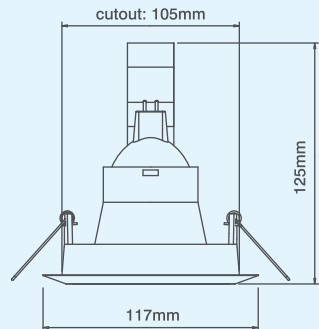
Please add required finish on to the code e.g. **LV550GM**.



12V Cast Recessed Downlighter

code	no. of lamps	lampholder type	max wattage
LV560*	1	GU5.3	50W

Transformer and lamp not included, for transformers see page b210.



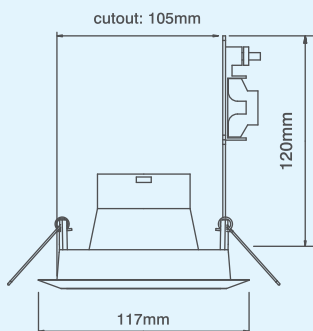
Available Finishes (*)



Product Approvals.
SELV - Safety Extra Low Voltage
Complies with BS EN 60598.

Please add required finish on to the code e.g. **LV560GM**.

HALOGEN LIGHTING - Flush Mounted Professional Recessed Downlighter



230V Cast Recessed Downlighter

code	no. of lamps	lampholder type	max wattage
GZ560*	1	GZ10/GU10	50W

Lamp sold separately.

LED option for GZ560 fitting is available on page b34.

Product Approvals.
Complies with BS EN 60598.

Available Finishes (*)



White



Chrome



Satin Chrome



Gun Metal



Brass



Satin Brass



Antique Brass

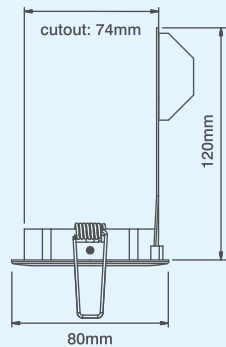
Please add required finish on to the code e.g. **GZ560CH**.



12V Cast Two-Tone Downlighter

code	no. of lamps	lampholder type	max wattage	tilt
LV570*	1	GU5.3	50W	15°

Transformer and lamp not included, for transformers see page b210.



Available Finishes (*)



Brass Rim
Satin Chrome Inner



Brass Rim
Pearl Inner



Chrome Rim
Satin Chrome Inner



Chrome Rim
Matt Brass Inner

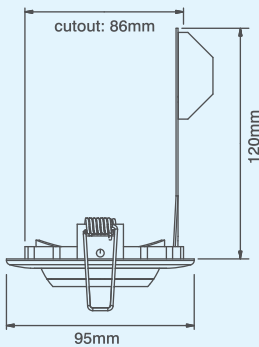


Product Approvals.
SELV - Safety Extra Low Voltage
Complies with BS EN 60598.

Please add required finish on to the code e.g. **LV570BPE**.

HALOGEN LIGHTING - Flush Mounted

Professional Two-Tone Downlighter



12V Cast Two-Tone Eyeball Downlighter

code	no. of lamps	lampholder type	max wattage	tilt
LV575*	1	GU5.3	50W	15°

Transformer and lamp not included, for transformers see page b210.

Product Approvals.
SELV - Safety Extra Low Voltage
Complies with BS EN 60598.



Available Finishes (*)



Brass Rim
Satin Chrome Inner



Brass Rim
Pearl Inner



Chrome Rim
Satin Chrome Inner



Chrome Rim
Matt Brass Inner

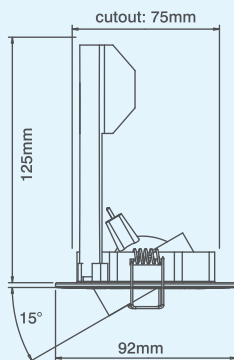
Please add required finish on to the code e.g. **LV575BSC**.



12V Cast Aztec Adjustable Downlighter

code	no. of lamps	lampholder type	max wattage	tilt
LV505*	1	GU5.3	50W	15°

Transformer and lamp not included, for transformers see page b210.



Available Finishes (*)



Satin Chrome

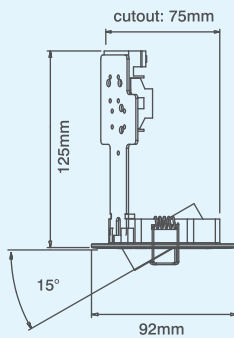


Antique Brass



Product Approvals.
SELV - Safety Extra Low Voltage
Complies with BS EN 60598.

Please add required finish on to the code e.g. **LV505SC**.



Product Approvals.
Complies with BS EN 60598.

230V Cast Aztec Adjustable Downlighter

code	no. of lamps	lampholder type	max wattage	tilt
GZ505*	1	GZ10	50W	15°

Lamp sold separately.

Available Finishes (*)



Satin Chrome



Antique Brass

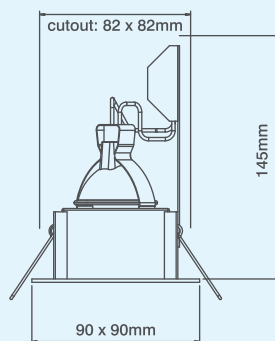
Please add required finish on to the code e.g. **GZ505AB**.



12V Square Recessed Downlighter

code	no. of lamps	lampholder type	max wattage
LV105*	1	GU5.3	50W

Transformer and lamp not included, for transformers see page b210.



Available Finishes (+)

WH
White

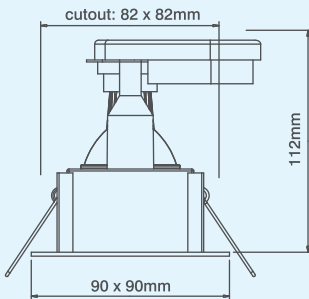
CH
Chrome

SC
Satin Chrome



Product Approvals.
SELV - Safety Extra Low Voltage
Complies with BS EN 60598.

Please add required finish on to the code e.g. **LV105WH**.



Product Approvals.
Complies with BS EN 60598.

230V Square Recessed Downlighter

code	no. of lamps	lampholder type	max wattage
GZ105*	1	GZ10/GU10	50W

Lamp sold separately.

LED option for GZ105 fitting is available on page b30.

NOTE: Features a housed terminal block with loop-in and loop-out facility.

Available Finishes (*)

WH

White

CH

Chrome

SC

Satin Chrome

Please add required finish on to the code e.g. **GZ105SC**.



12V Square Recessed Downlighter with Drop Glass

code	no. of lamps	lampholder type	max wattage
LV107*	1	GU5.3	50W

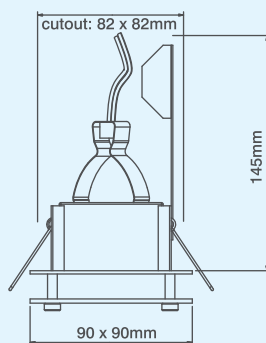
Transformer and lamp not included, for transformers see page b210.

Available Finishes (*)

WH
White

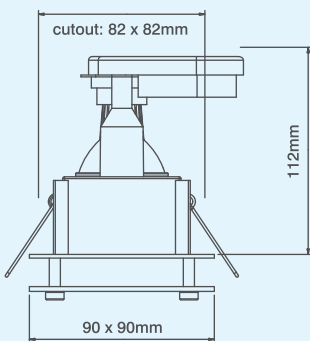
CH
Chrome

SC
Satin Chrome



Product Approvals.
SELV - Safety Extra Low Voltage
Complies with BS EN 60598.

Please add required finish on to the code e.g. **LV107WH**.



230V Square Recessed Downlighter with Drop Glass

code	no. of lamps	lampholder type	max wattage
GZ107*	1	GZ10/GU10	50W

Lamp sold separately.

LED option for GZ107 fitting is available on page b31.

NOTE: Features a housed terminal block with loop-in and loop-out facility.

Available Finishes (*)



White



Chrome



Satin Chrome

Product Approvals.
Complies with BS EN 60598.

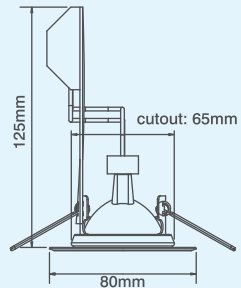
Please add required finish on to the code e.g. **GZ107CH**.



12V Fixed Downlighter

code	no. of lamps	lampholder type	max wattage
LVB015*	1	GU5.3	50W

Transformer and lamp not included, for transformers see page b210.



Available Finishes (*)



White



Chrome



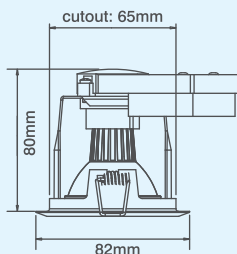
Satin Chrome



Product Approvals.
SELV - Safety Extra Low Voltage
Complies with BS EN 60598.

Please add required finish on to the code e.g. **LVB015WH**.

HALOGEN LIGHTING - Flush Mounted Recessed Downlighters



Product Approvals
Complies with BS EN 60598.

230V Fixed Downlighter

code	no. of lamps	lampholder type	max wattage
GZ015*	1	GZ10/GU10	50W

Lamp sold separately.

NOTE: Features a housed terminal block with loop-in and loop-out facility.

Available Finishes (*)

WH

White

CH

Chrome

SC

Satin Chrome

Please add required finish on to the code e.g. **GZ015CH**.



12V Adjustable Downlighter

code	no. of lamps	lampholder type	max wattage	tilt
LVB020*	1	GU5.3	50W	15°

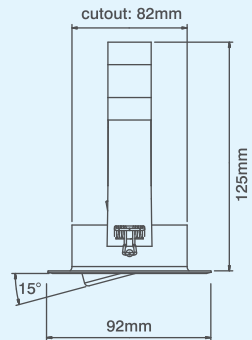
Transformer and lamp not included, for transformers see page b210.

Available Finishes (+)

WH
White

CH
Chrome

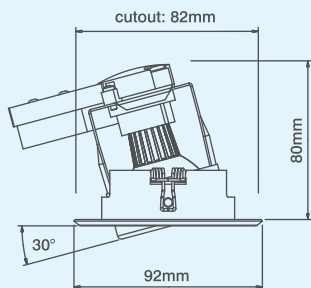
SC
Satin Chrome



Product Approvals.
SELV - Safety Extra Low Voltage
Complies with BS EN 60598.

Please add required finish on to the code e.g. **LVB020SC**.

HALOGEN LIGHTING - Flush Mounted Adjustable Downlighters



Product Approvals.
Complies with BS EN 60598.

230V Adjustable Downlighter

code	no. of lamps	lampholder type	max wattage	tilt
GZ020*	1	GZ10/GU10	50W	30°

Lamp sold separately.

NOTE: Features a housed terminal block with loop-in and loop-out facility.

Available Finishes (*)

WH

White

CH

Chrome

SC

Satin Chrome

Please add required finish on to the code e.g. **GZ020WH**.



12V Eyeball Downlighter

code	no. of lamps	lampholder type	max wattage	tilt	rotation
LVB025*	1	GU5.3	50W	30°	355°

Transformer and lamp not included, for transformers see page b210.

Available Finishes (*)

WH

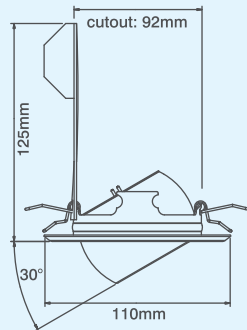
White

CH

Chrome

SC

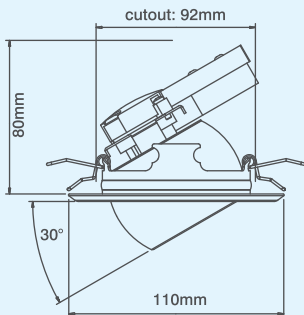
Satin Chrome



Product Approvals.
SELV - Safety Extra Low Voltage
Complies with BS EN 60598.

Please add required finish on to the code e.g. **LVB025CH**.

HALOGEN LIGHTING - Flush Mounted Eyeball Downlighters



Product Approvals.
Complies with BS EN 60598.

230V Eyeball Downlighter

code	no. of lamps	lampholder type	max wattage	tilt	rotation
GZ025*	1	GZ10/GU10	50W	30°	355°

Lamp sold separately.

NOTE: Features a housed terminal block with loop-in and loop-out facility.

Available Finishes (*)

WH

White

CH

Chrome

SC

Satin Chrome

Please add required finish on to the code e.g. **GZ025SC**.



12V Cast Tear Drop Wallwash Downlighter

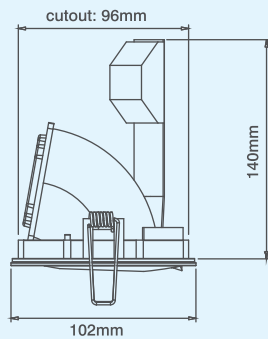
code	no. of lamps	lampholder type	max wattage	tilt	rotation
LV555*	1	GU5.3	50W	80°	355°

Transformer and lamp not included, for transformers see page b210.



Adjustable to any angle from down light to 80° wallwash

Available Finishes (*)



Product Approvals.
SELV - Safety Extra Low Voltage
Complies with BS EN 60598.

Please add required finish on to the code e.g. **LV555SC**.