

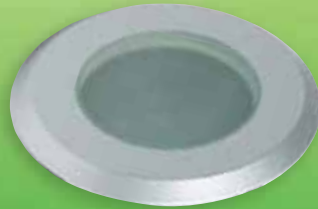
OVIA



Outdoor LED



LED022



LED020

12V IP65 LED Wall / Floor Lights

code	no. of LED's	wattage
LED020	5	0.8W Integrated LED
LED022	5	0.8W Integrated LED

IP68 Rated Outdoor Electronic Transformer

GA240 12V 2-15Va LED Driver 205 x 88 x 42 Pre-wired
Includes pre-wired flex for termination in a water-proof enclosure, Lead: 1.8m

Electronic LED Indoor Transformer

TR301 12V 0.5-15W LED Driver 120 x 37 x 27 Re-wireable

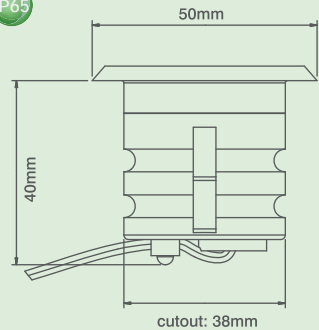
LED Colour Options (*)



Blue

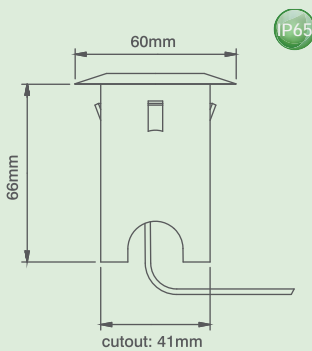
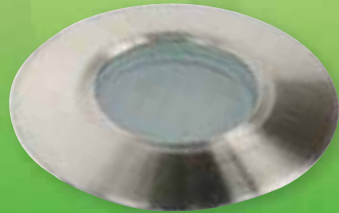


Cool White



Product Approvals.
SELV - Safety Extra Low Voltage
Complies with BS EN 60598.

Please add lamp option on to the code e.g. **LED020BL**.



Product Approvals.

SELV - Safety Extra Low Voltage
Complies with BS EN 60598 . .



12V IP65 Stainless Steel Walkway LED

code	no. of LED's	wattage
Single Walkway LED		
LED010	5	0.8W Integrated LED
Replacement Transformer: SP701 10VA		

Up to 6 additional LED walkover lights can be fitted to the kit cable and powered by the transformer supplied. Each individual walkover light is fitted with a 0.8m lead allowing great flexibility in planning layouts.

LED Colour Options (☛)



Blue



Cool White

Please add lamp option on to the code e.g. **LED010WH.**



230V IP65 LED Garden Spike Lights

code	no. of LED's	wattage
LED500♦	3	3W Integrated LED
Includes pre-wired flex for termination in a water-proof enclosure, Lead: 1.5m		

LED Colour Options (♦)



Blue



Cool White

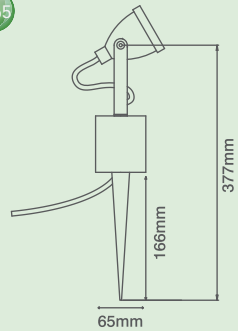
Available Finishes (*)



Black



Grey

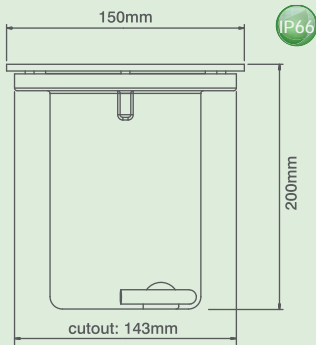


Product Approvals

Good protection against ingress of dust and moisture. Complies with BS EN 60598.

Please add lamp option then required finish on to the code e.g. **LED500BLBK**.

OUTDOOR LED FITTING
LED IP66 Walkover Light



Product Approvals

Good protection against ingress of dust and moisture.
Complies with BS EN 60598.

230V IP66 LED Walkover Light

code	no. of LED's	wattage
LED233SS♦	33	2W Integrated LED

Available Finishes



Stainless Steel

LED Colour Options (♦)



Blue



Cool White

Please add required lamp option on to the code e.g. **LED233SSWH.**



230V Round IP65 Low Energy Walkover Light

code	no. of lamps	lampholder type	max wattage
CF530SS♦	1	GX53	9W

Includes pre-wired flex for termination in a water-proof enclosure, Lead: 1.3m.

C/W Selected Lamp

CFLi options for CF530SS fitting are available on page b180

Available Finishes



Stainless Steel

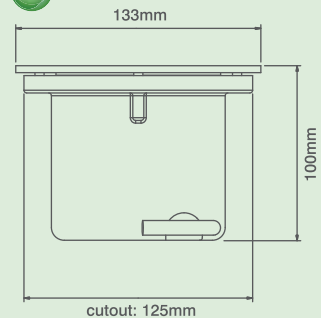
LED Colour Options (♦)



2.7W
Blue



3W
Cool White

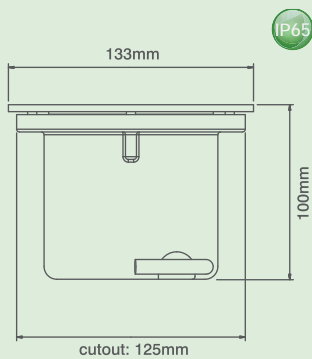


Product Approvals
Good protection against ingress of dust and moisture.
Complies with BS EN 60598.

Please add lamp option on to the code e.g. **CF530SSLEDC**.

OUTDOOR LED FITTING

Walk-over Lights



Product Approvals

Good protection against ingress of dust and moisture.
Complies with BS EN 60598.

230V Square IP65 Low Energy Walkover Light

code	no. of lamps	lampholder type	max wattage
CF535SS	1	GX53	9W

Includes pre-wired flex for termination in a water-proof enclosure, Lead: 1.3m.

C/W Selected Lamp

CFLi options for CF535SS fitting are available on page b181

Available Finishes



Stainless Steel

LED Colour Options (♦)



2.7W
Blue



3W
Cool White

Please add lamp option on to the code e.g. **CF535SSLEDB**.



230V IP54 Angled Aluminium Wall Light

code	no. of lamps	lampholder type	max wattage
LE601AL♦	1	GX53	9W

C/W Selected Lamp

CFLi options for LE601AL fitting are available on page b182

Available Finishes



Aluminium

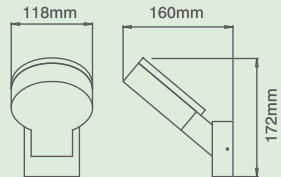
LED Colour Options (♦)



2.7W
Blue



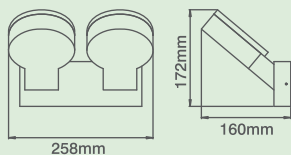
3W
Cool White



Product Approvals

Good protection against ingress of dust and moisture.
Complies with BS EN 60598.

Please add lamp option on to the code e.g. **LE601ALLEDB.**



Product Approvals

Good protection against ingress of dust and moisture. Complies with BS EN 60598.

230V IP54 Angled Aluminium Wall Light

code	no. of lamps	lampholder type	max wattage
LE602AL	2	GX53	2 x 9W

C/W Selected Lamp

CFLi options for LE602AL fitting are available on page b183

Available Finishes



Aluminium

LED Colour Options (♦)



2.7W
Blue



3W
Cool White

Please add lamp option on to the code e.g. **LE602ALLEDC**.

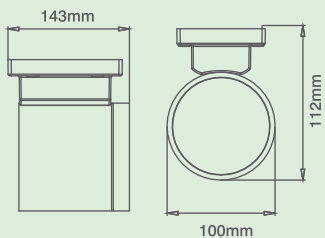


230V IP54 Up or Down Light

code	no. of lamps	lampholder type	max wattage
OL211AG♦	1	GX53	9W

C/W Selected Lamp

CFLi options for OL211AG fitting are available on page b184



Available Finishes



Anthracite Grey

LED Colour Options (♦)



2.7W
Blue



3W
Cool White

Product Approvals

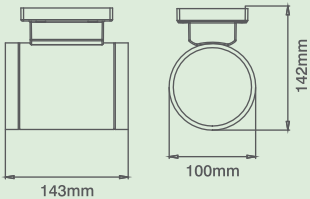
Good protection against ingress of dust and moisture.
Complies with BS EN 60598.

Please add lamp option on to the code e.g. **OL211AGLEDB**.

OUTDOOR LED FITTING Up & Down Light



IP54



Product Approvals

Good protection against ingress of dust and moisture.
Complies with BS EN 60598.

230V IP54 Up & Down Light

code	no. of lamps	lampholder type	max wattage
OL212AG ♦	2	GX53	2 x 9W

C/W Selected Lamp

CFLi options for OL212AG fitting are available on page b185

Available Finishes

AG

Anthracite Grey

LED Colour Options (♦)

LEDB

2.7W
Blue

LEDC

3W
Cool White

Please add lamp option on to the code e.g. **OL212AGLEDC**



230V IP54 LED Square Light

code	no. of LED's	wattage
LED450BA Pre-wired 0.2m	25	1.6W Integrated LED

Available Finishes

BA

Brushed Aluminium

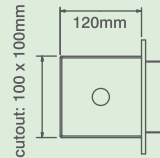
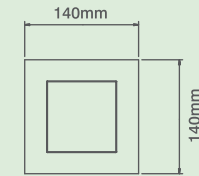
LED Colour Options (†)

BL

Blue

WH

Cool White



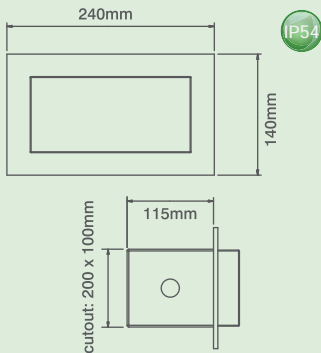
Product Approvals

Good protection against ingress of dust and moisture. Complies with BS EN 60598.

Please add required lamp option on to the code e.g. **LED450BABL**.

OUTDOOR LED FITTING

LED Semi-recessed Lights



Product Approvals

Good protection against ingress of dust and moisture.
Complies with BS EN 60598.

230V IP54 LED Rectangular Light

code	no. of LED's	wattage
LED455BA ◆ Pre-wired 0.2m	36	2.1W Integrated LED

Available Finishes

BA

Brushed Aluminium

LED Colour Options (◆)



Blue



Cool White

Please add required lamp option on to the code e.g. **LED455BAWH**.

LED



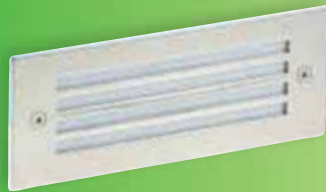
IP54

LED



IP54

LED



IP54



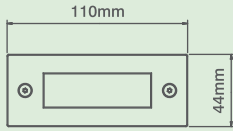
Product Approvals
Good protection against ingress
of dust and moisture.
Complies with BS EN 60598.

OUTDOOR LED FITTING

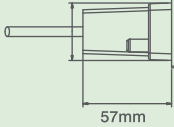
LED Recessed Lighting



230V IP54 LED Rectangular Light - Full Glass



cutout: 100 x 35mm



code	no. of LED's	wattage
LED470SS	12	0.8W Integrated LED

Available Finishes



Stainless Steel

LED Colour Options (f)

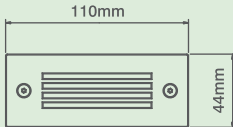


Blue

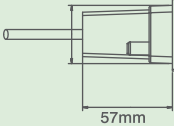


Cool White

230V IP54 LED Rectangular Light - Slatted Glass



cutout: 100 x 35mm



code	no. of LED's	wattage
LED475SS	12	0.8W Integrated LED

Available Finishes



Stainless Steel

LED Colour Options (f)

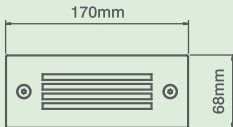


Blue

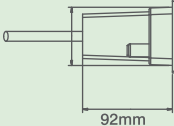


Cool White

230V IP54 LED Rectangular Light - Slatted Glass



cutout: 160 x 56mm



code	no. of LED's	wattage
LED480SS	16	0.8W Integrated LED

Available Finishes



Stainless Steel

LED Colour Options (f)



Blue



Cool White

Please add required lamp option on to the code e.g. **LED480SSWH**.



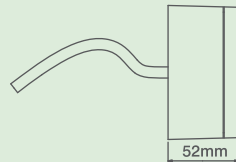
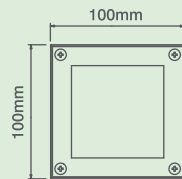
230V IP54 LED Square Surface Light

code	no. of LED's	wattage
LED400SV Pre-wired 0.2m	16	1.0W Integrated LED

Available Finishes



LED Colour Options (†)



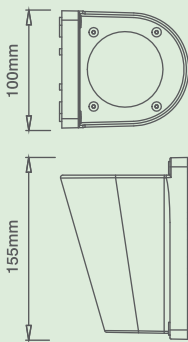
Product Approvals

Good protection against ingress of dust and moisture.
Complies with BS EN 60598.

Please add required lamp option on to the code e.g. **LED400SVBL**.

OUTDOOR LED FITTING

LED Up or Down Light



230V IP54 LED Up or Down Light

code	no. of LED's	wattage
LED502WHAG	3	3W Integrated LED

LED Colour Options



White LED

Available Finishes



Anthracite Grey

Product Approvals

Good protection against ingress of dust and moisture.
Complies with BS EN 60598.



230V IP54 Outdoor Downlighter

code	no. of lamps	lampholder type	max wattage
OL210AG	1	GX53	9W

C/W Selected Lamp

CFLi options for OL210AG fitting are available on page b190

Available Finishes



Anthractite Grey

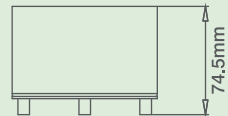
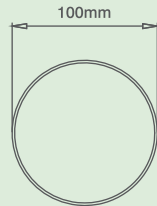
LED Colour Options (†)



2.7W
Blue



3W
Cool White



Product Approvals

Good protection against ingress of dust and moisture.
Complies with BS EN 60598.

Please add lamp option on to the code e.g. **OL210AGLEDB**.

OUTDOOR LED FITTING
Outdoor Bulkhead



IP54

82mm

181mm

Product Approvals
Good protection against ingress of dust and moisture.
Complies with BS EN 60598.

230V IP54 Outdoor Bulkhead

code	no. of lamps	lampholder type	max wattage
OL214AG ♦	1	GX53	9W
C/W Selected Lamp			
CFLi options for OL214AG fitting are available on page b191			

Available Finishes

AG
Anthracite Grey

LED Colour Options (♦)

LEDB
2.7W
Blue

LEDC
3W
Cool White

Please add lamp option on to the code e.g. **OL214AGLEDC**.



230V IP54 Aluminium Surface Light

code	no. of lamps	lampholder type	max wattage
LE603AL	1	GX53	9W

C/W Selected Lamp

CFLi options for LE603AL fitting are available on page b192

Available Finishes



Aluminium

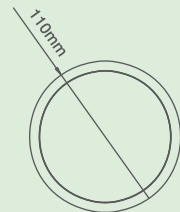
LED Colour Options (†)



2.7W
Blue



3W
Cool White



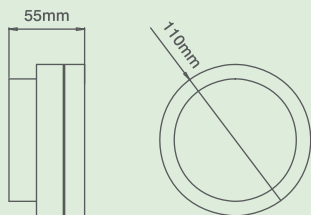
Product Approvals

Good protection against ingress of dust and moisture.
Complies with BS EN 60598.

Please add lamp option on to the code e.g. **LE603ALLEDB**.

OUTDOOR LED FITTING

Aluminium Surface Lights



Product Approvals

Good protection against ingress of dust and moisture.
Complies with BS EN 60598.

230V IP54 Aluminium Surface Light

code	no. of lamps	lampholder type	max wattage
LE604AL	1	GX53	9W

C/W Selected Lamp

CFLi options for LE604AL fitting are available on page b193

Available Finishes



Aluminium

LED Colour Options (♦)



2.7W
Blue



3W
Cool White

Please add lamp option on to the code e.g. **LE604ALLEDC**.



similar size to
a 20p coin



12V Cast IP44 LED Starlights

code	no. of LED's	wattage
LED200♦	1	0.3W Integrated LED

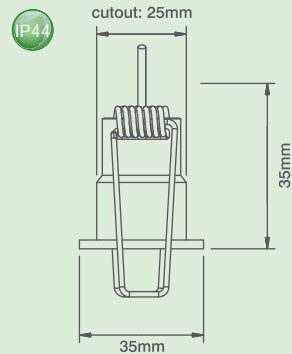
IP68 Rated Outdoor Electronic Transformer

GA240 12V 2-15Va LED transformer 205 x 88 x 42 Pre-wired
Includes pre-wired flex for termination in a water-proof enclosure, Lead: 250mm

Electronic LED Indoor Transformer

TR301 12V 0.5-15W LED Transformer 120 x 37 x 27 Wireable

NOTE: Can be used in conjunction with the SP202 mounting access plate, see page b97.



LED Lamp Options (♦)

Available Finishes (+)



Blue



Cool White



White



Chrome



Satin Chrome



Brass



Product Approvals.
SELV - Safety Extra Low Voltage
Complies with BS EN 60598.

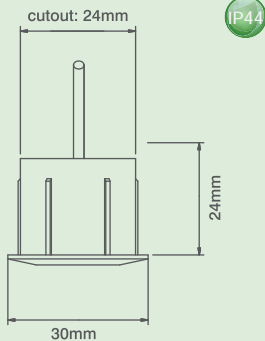
Please add lamp option then required finish on to the code e.g. **LED200BLCH.**

OUTDOOR LED FITTING

LED IP44 Star Lights



similar size to
a 20p coin



12V IP44 LED Starlights

code	no. of LED's	wattage
LED202*	1	0.3W Integrated LED

IP68 Rated Outdoor Electronic Transformer

GA240 12V 2-15Va LED transformer 205 x 88 x 42 Pre-wired
Includes pre-wired flex for termination in a water-proof enclosure, Lead: 250mm

Electronic LED Indoor Transformer

TR301 12V 0.5-15W LED Transformer 120 x 37 x 27 Wireable

LED Lamp Options (*)

Available Finishes (*)



Blue



Cool White



White



Chrome



Satin Chrome



Black

Product Approvals.

SELV - Safety Extra Low Voltage
Complies with BS EN 60598 . .



Please add lamp option then required finish on to the code e.g. **LED202BLSC**.

